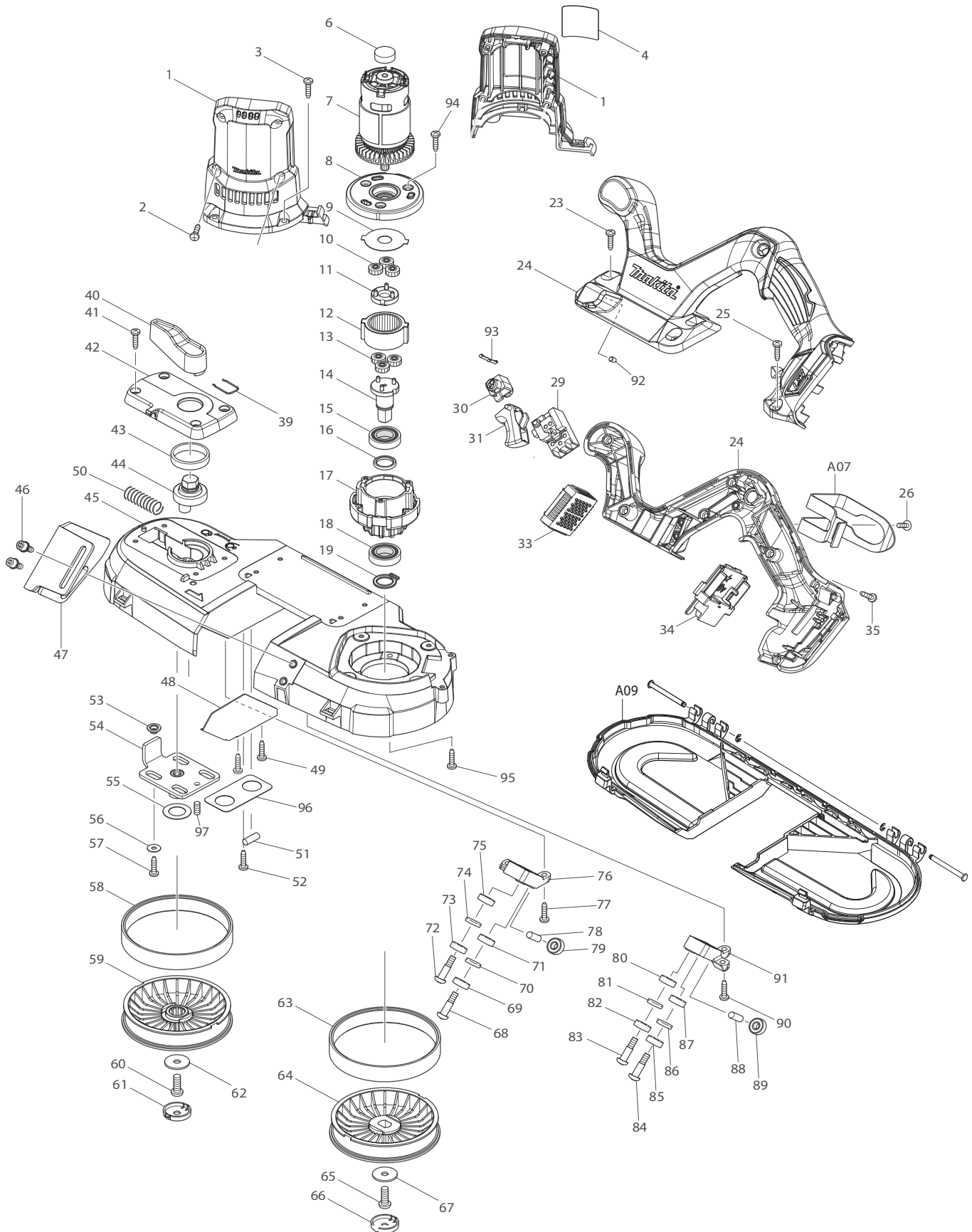




01 - 2014  
DPB181RFE, DPB181Z  
18V PORTABLE BAND SAW



| Item No | Type | Part No       | Description              | Qty | Unit |
|---------|------|---------------|--------------------------|-----|------|
| 1       |      | 187711-5      | MOTOR HOUSING SET        | 1   | SET  |
| 2       |      | 266326-2      | TAPPING SCREW 4X18       | 4   | PC.  |
| 3       |      | 266326-2      | TAPPING SCREW 4X18       | 4   | PC.  |
| 4       |      | 814X89-4      | NAME PLATE F/DPB181      | 1   | PC.  |
| 6       |      | 421940-3      | CAP                      | 1   | PC.  |
| 7       |      | 629994-6      | DC MOTOR                 | 1   | PC.  |
| 8       |      | 454650-7      | GEAR HOUSING COVER       | 1   | PC.  |
| 9       |      | 267855-8      | LOCK WASHER              | 1   | PC.  |
| 10      |      | 227331-4      | SPUR GEAR 14             | 3   | PC.  |
| 11      | 1    | 142355-8      | * SPUR GEAR 7 COMPLETE   | 1   | PC.  |
|         | 2    | 144386-3      | * SPUR GEAR 7 COMPLETE   | 1   | PC.  |
| 12      |      | 227332-2      | INTERNAL GEAR 36         | 1   | PC.  |
| 13      |      | 227331-4      | SPUR GEAR 14             | 3   | PC.  |
| 14      |      | 142356-6      | SPINDLE COMPLETE         | 1   | PC.  |
| 15      |      | 211242-3      | BALL BEARING 6902ZZ      | 1   | PC.  |
| 16      |      | 257348-3      | RING 15                  | 1   | PC.  |
| 17      |      | 455790-4      | GEAR HOUSING             | 1   | PC.  |
| 18      |      | 211242-3      | BALL BEARING 6902ZZ      | 1   | PC.  |
| 19      |      | 961055-9      | RETAINING RING S-15      | 1   | PC.  |
| 23      |      | 266326-2      | TAPPING SCREW 4X18       | 4   | PC.  |
| 24      |      | 187762-8      | HANDLE SET               | 1   | SET  |
|         |      | INC. 252126-6 | HEX. LOCKING NUT M4-7    | 2   | PC.  |
|         |      | INC. 263005-3 | RUBBER PIN 6             | 2   | PC.  |
| 25      |      | 266326-2      | TAPPING SCREW 4X18       | 2   | PC.  |
| 26      |      | 251314-2      | + SCREW M4X12            | 2   | PC.  |
| 29      |      | 650705-8      | SWITCH TG73BDS-1         | 1   | PC.  |
| 30      |      | 419504-5      | LOCK OFF BUTTON          | 1   | PC.  |
| 31      |      | 454651-5      | SWITCH LEVER             | 1   | PC.  |
| 33      | 1    | 539218-1      | CONTROLLER ASSEMBLY      | 1   | PC.  |
|         |      | INC. 654199-9 | RECEPTACLE               | 1   | PC.  |
|         | 2    | 632C03-0      | CONTROLLER UNIT          | 1   | PC.  |
|         |      | INC. 654199-9 | RECEPTACLE               | 1   | PC.  |
|         | 3    | 632L42-4      | CONTROLLER UNIT          | 1   | PC.  |
|         |      | INC. 654199-9 | RECEPTACLE               | 1   | PC.  |
| 34      |      | 643899-6      | TERMINAL                 | 1   | PC.  |
| 35      |      | 266326-2      | TAPPING SCREW 4X18       | 7   | PC.  |
| 39      |      | 231955-0      | RING SPRING 12           | 1   | PC.  |
| 40      |      | 272230-5      | LEVER 54                 | 1   | PC.  |
| 41      |      | 266326-2      | TAPPING SCREW 4X18       | 4   | PC.  |
| 42      |      | 454614-1      | LEVER HOLDER             | 1   | PC.  |
| 43      |      | 214408-4      | PLANE BEARING 30         | 1   | PC.  |
| 44      |      | 326351-6      | LEVER SHAFT              | 1   | PC.  |
| 45      | 1    | 142686-5      | * FRAME COMPLETE         | 1   | PC.  |
|         |      | INC. 802E58-3 | * CAUTION LABEL          | 1   | PC.  |
|         | 2    | 143269-4      | * FRAME COMPLETE         | 1   | PC.  |
|         |      | INC. 802E58-3 | * CAUTION LABEL          | 1   | PC.  |
|         |      | INC. 424736-1 | * SPONGE (Added)         | 1   | PC.  |
|         | 3    | 144142-1      | * FRAME COMPLETE         | 1   | PC.  |
|         |      | INC. 802E58-3 | * CAUTION LABEL          | 1   | PC.  |
|         |      | INC. 424736-1 | * SPONGE (Added)         | 1   | PC.  |
| 46      |      | 922218-2      | H.S.H.BOLT M5X14 WITH WR | 2   | PC.  |
| 47      |      | 346728-9      | STOPPER PLATE            | 1   | PC.  |
| 48      |      | 346729-7      | PLATE                    | 1   | PC.  |
| 49      |      | 266326-2      | TAPPING SCREW 4X18       | 2   | PC.  |
| 50      |      | 234313-9      | COMPRESSION SPRING 9     | 1   | PC.  |
| 51      |      | 256033-5      | PIN 6                    | 1   | PC.  |
| 52      |      | 266326-2      | TAPPING SCREW 4X18       | 1   | PC.  |
| 53      |      | 343494-9      | SLEEVE 5                 | 4   | PC.  |
| 54      |      | 165738-5      | SLIDE PLATE              | 1   | PC.  |
| 55      |      | 267164-5      | FLAT WASHER 15           | 1   | PC.  |
| 56      |      | 253874-0      | FLAT WASHER 4            | 4   | PC.  |
| 57      |      | 266326-2      | TAPPING SCREW 4X18       | 4   | PC.  |

| Item No | Type | Part No  | Description                    | Qty | Unit |
|---------|------|----------|--------------------------------|-----|------|
| 58      |      | 424589-8 | * RUBBER TIRE                  | 1   | PC.  |
| 59      |      | 142358-2 | WHEEL COMPLETE B               | 1   | PC.  |
| 60      |      | 265484-1 | HEX. SOCKET HEAD BOLT M6X17    | 1   | PC.  |
| 61      |      | 454730-9 | CAP                            | 1   | PC.  |
| 62      |      | 253010-8 | FLAT WASHER 6                  | 1   | PC.  |
| 63      |      | 424589-8 | * RUBBER TIRE                  | 1   | PC.  |
| 64      |      | 142357-4 | WHEEL COMPLETE A               | 1   | PC.  |
| 65      |      | 265484-1 | HEX. SOCKET HEAD BOLT M6X17    | 1   | PC.  |
| 66      |      | 454730-9 | CAP                            | 1   | PC.  |
| 67      |      | 253010-8 | FLAT WASHER 6                  | 1   | PC.  |
| 68      |      | 251337-0 | + PAN HEAD SCREW M5            | 1   | PC.  |
| 69      |      | 210033-9 | BALL BEARING 696ZZ             | 1   | PC.  |
| 70      |      | 941152-7 | FLAT WASHER 6                  | 1   | PC.  |
| 71      |      | 210033-9 | BALL BEARING 696ZZ             | 1   | PC.  |
| 72      |      | 251337-0 | + PAN HEAD SCREW M5            | 1   | PC.  |
| 73      |      | 210033-9 | BALL BEARING 696ZZ             | 1   | PC.  |
| 74      |      | 941152-7 | FLAT WASHER 6                  | 1   | PC.  |
| 75      |      | 210033-9 | BALL BEARING 696ZZ             | 1   | PC.  |
| 76      | 1    | 319075-1 | UPPER HOLDER 42                | 1   | PC.  |
|         | 2    | 319400-6 | UPPER HOLDER 42                | 1   | PC.  |
| 77      |      | 266326-2 | TAPPING SCREW 4X18             | 2   | PC.  |
| 78      |      | 256033-5 | PIN 6                          | 1   | PC.  |
| 79      |      | 210033-9 | BALL BEARING 696ZZ             | 1   | PC.  |
| 80      |      | 210033-9 | BALL BEARING 696ZZ             | 1   | PC.  |
| 81      |      | 941152-7 | FLAT WASHER 6                  | 1   | PC.  |
| 82      |      | 210033-9 | BALL BEARING 696ZZ             | 1   | PC.  |
| 83      |      | 251337-0 | + PAN HEAD SCREW M5            | 1   | PC.  |
| 84      |      | 251337-0 | + PAN HEAD SCREW M5            | 1   | PC.  |
| 85      |      | 210033-9 | BALL BEARING 696ZZ             | 1   | PC.  |
| 86      |      | 941152-7 | FLAT WASHER 6                  | 1   | PC.  |
| 87      |      | 210033-9 | BALL BEARING 696ZZ             | 1   | PC.  |
| 88      |      | 256033-5 | PIN 6                          | 1   | PC.  |
| 89      |      | 210033-9 | BALL BEARING 696ZZ             | 1   | PC.  |
| 90      |      | 266326-2 | TAPPING SCREW 4X18             | 2   | PC.  |
| 91      |      | 319074-3 | LOWER HOLDER 42                | 1   | PC.  |
| 92      |      | 263002-9 | RUBBER PIN 4                   | 1   | PC.  |
| 93      |      | 232201-4 | LEAF SPRING                    | 1   | PC.  |
| 94      |      | 266326-2 | TAPPING SCREW 4X18             | 3   | PC.  |
| 95      |      | 266326-2 | TAPPING SCREW 4X18             | 3   | PC.  |
| 96      |      | 346798-8 | PROTECTION PLATE               | 1   | PC.  |
| 97      |      | 266213-5 | H.S.SET SCREW(FLAT POINT)M5X12 | 1   | PC.  |
| 100     |      | 802E58-3 | CAUTION LABEL                  | 1   | PC.  |
| E01     |      | 632C27-6 | FUSE UNIT (Added)              | 1   | PC.  |

| Item No            | Type        | Part No       | Description   | Qty | Unit |
|--------------------|-------------|---------------|---|-----|------|
| <b>ACCESSORIES</b> |             |               | <b>- See Catalogue or visit <a href="http://www.makita.ca">www.makita.ca</a> for more accessories -</b> |     |      |
| A01                |             | 783202-0      | HEX. WRENCH 4   | 1   | PC.  |
| A02                |             | B-40559       | COMPACT BAND SAW BLADE, BI-METAL,<br>18TPI, 5/SET   | 1   | SET  |
|                    |             | B-40543       | COMPACT BAND SAW BLADE, BI-METAL,<br>14TPI, 5/SET   | 1   | SET  |
|                    |             | -----         | BAND SAW BLADE  |     |      |
| A03                |             | -----         | BATTERY CHARGER   |     |      |
| A04                |             | -----         | 18V LI-ION BATTERY  |     |      |
| A05                |             | -----         | LI-ION BATTERY ACCESSORIES  |     |      |
| A06                |             | 821007X       | TOOL BAG  | 1   | PC.  |
| A07                |             | 345736-7      | HOOK  | 1   | PC.  |
| A08                |             | 191897-9      | CUTTING WAX   | 1   | PC.  |
| A09                | Opt. Type 1 | 196585-3      | WHEEL COVER SET   | 1   | PC.  |
|                    |             | INC. 256689-4 | PIN 4   | 2   | PC.  |
|                    |             | INC. 961017-7 | STOP RING   | 2   | PC.  |
|                    | Opt. Type 2 | 197222-2      | WHEEL COVER SET   | 1   | PC.  |
|                    |             | INC. 256689-4 | PIN 4   | 2   | PC.  |
|                    |             | INC. 961017-7 | STOP RING   | 2   | PC.  |
|                    | Opt. Type 3 | 197975-3      | WHEEL COVER SET   | 1   | PC.  |
|                    |             | INC. 161427-0 | HOOK  | 2   | PC.  |
|                    |             | INC. 256689-4 | PIN 4   | 2   | PC.  |
|                    |             | INC. 961017-7 | STOP RING   | 2   | PC.  |

**SERVICE CHANGES**

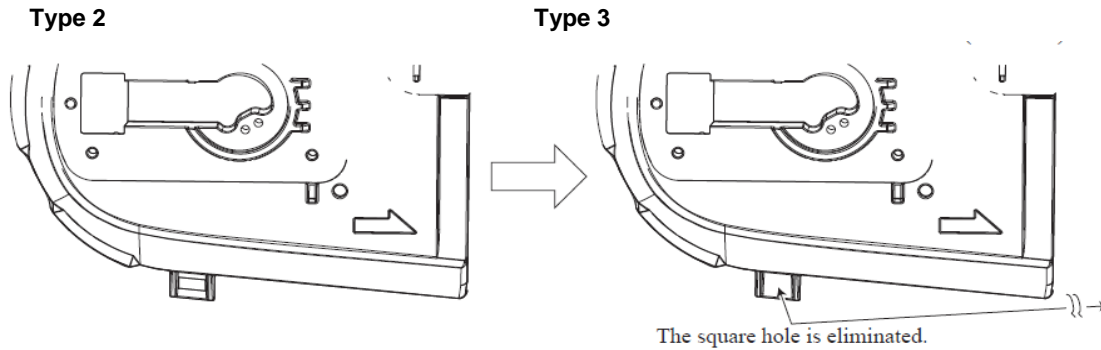
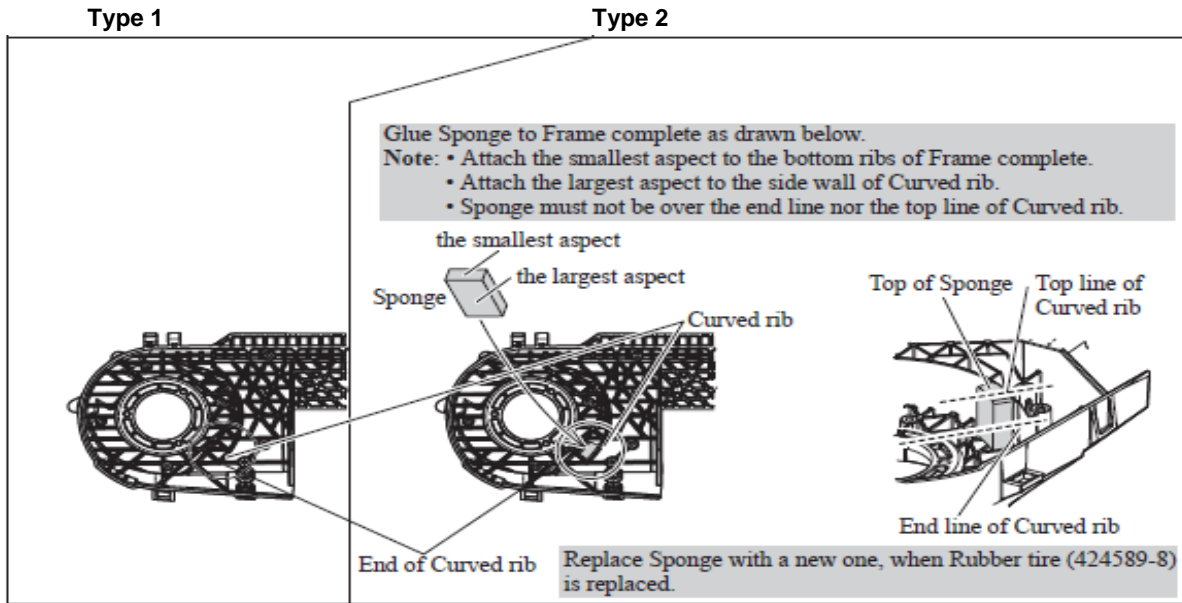
**1. Changes on Wheel cover set and Frame complete**

(TI#A7055)

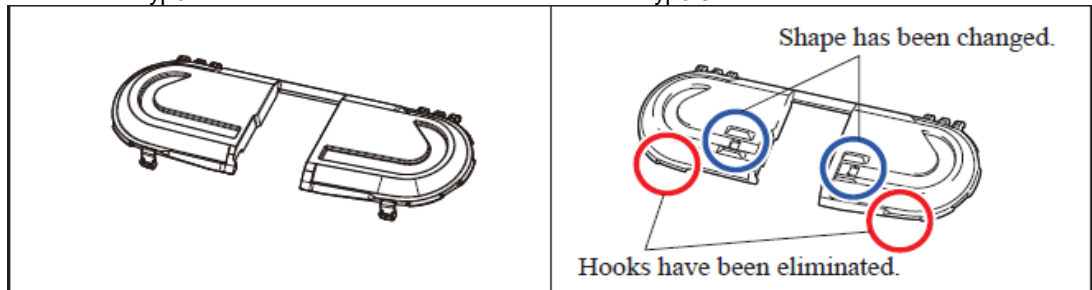
(TI#B3633)

| Item No. | Description    | Type 1   | Type 2   | Type 3   |
|----------|----------------|----------|----------|----------|
| 45       | Frame Complete | 142686-5 | 143269-4 | 144142-1 |
|          | INC. Sponge    | -----    | 424736-1 | 424736-1 |
| 58 & 63  | Rubber Tire    |          | 424589-8 |          |

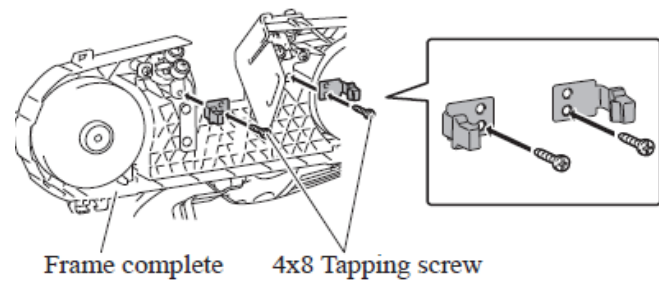
\*\*\* Replace Sponge with a new one, when Rubber tire (424589-8) is replaced.



| Item No. | Description                     | (TI#A7055) |          | (TI#B2818) |
|----------|---------------------------------|------------|----------|------------|
|          |                                 | Type 1     | Type 2   | Type 3     |
| A09      | Wheel Cover Set (Optional Accs) | 196585-3   | 197222-2 | 197975-3   |
| INC.     | Hook                            |            | -----    | 161427-0   |



Fix Hooks to Frame complete with 4x8 Tapping screws (Item No. 77, 90).



2. Changes on Spur Gear 7 Complete

| Item No. | Description          | (TI#B6983) |          |
|----------|----------------------|------------|----------|
|          |                      | Type 1     | Type 2   |
| 11       | Spur Gear 7 Complete | 142355-8   | 144386-3 |

